

03 GUARD ROOM  
09 REF. A103  
SCALE: 1:75

REVISION RECORDS	
NO	DESCRIPTION

SYMBOL	DESCRIPTION
[Symbol]	BRICK PAVED
[Symbol]	STONE MASONRY
[Symbol]	RCC PLASTER
[Symbol]	EARTH
[Symbol]	RCC
[Symbol]	EXCAVATION
(W1)	WINDOW TYPE 1
(W2)	WINDOW TYPE 2
(D1)	DOOR TYPE 1
(D2)	DOOR TYPE 2

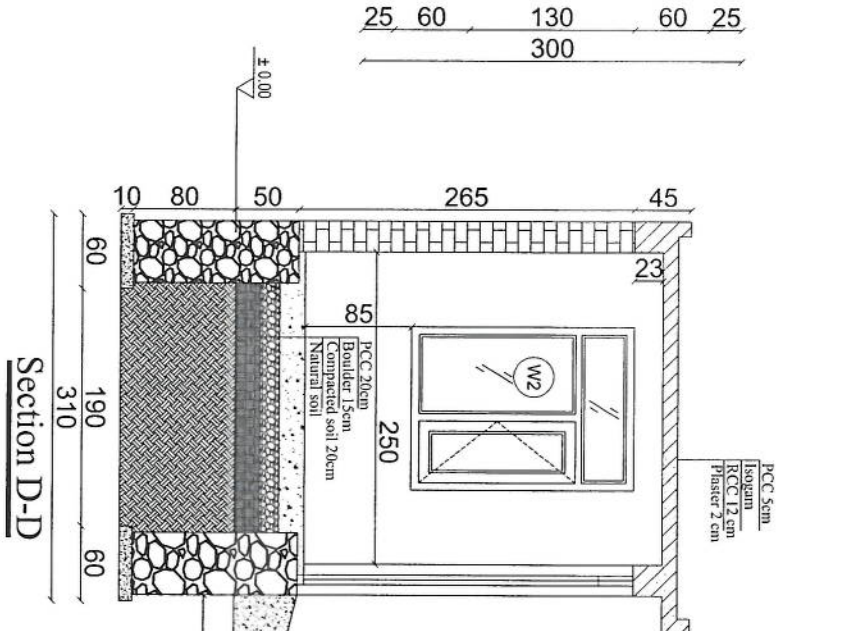
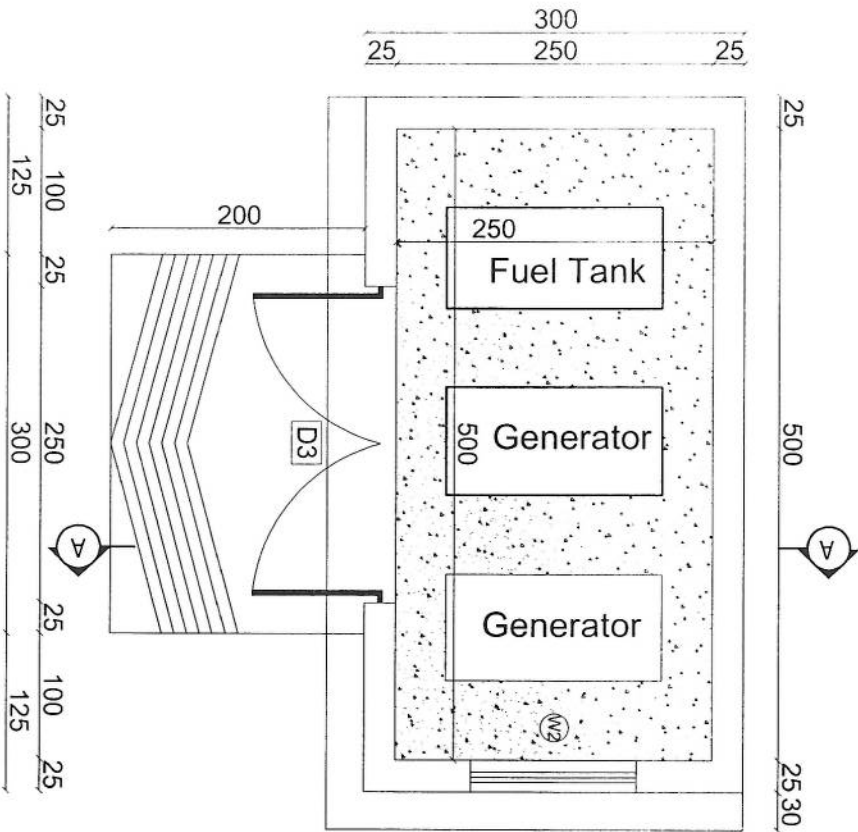
PROJECT TITLE / NO:  
GSM SITES  
طرح GSM سائت

DRAWING TITLE:  
GUARD ROOM  
اتاق نگهبان

DRAWN BY:  
CIVIL TEAM  
چک شده:

APPROVED BY:  
SCALE: 1/75  
ACTUAL DATE: 07/04/2025  
ISSUE DATE:  
DINGNO: 03

OWNER: AFGHAN TELECOM  
Salam Telecom Company  
KABUL  
AFGHANISTAN



Section D-D

REVISION RECORDS	
REVISION NO	DESCRIPTION

- LEGEND:
- CRUSHED ROCK
  - RCC PLASTER
  - RCC
  - GROUND LEVEL
  - WINDOW TYPE 2
  - DOOR TYPE 3

PROJECT TITLE / NO:  
GSM SITES

DRAWING TITLE:  
GENERATOR ROOM

DRAWN BY:  
CIVIL TEAM

CHECKED BY:

APPROVED BY:

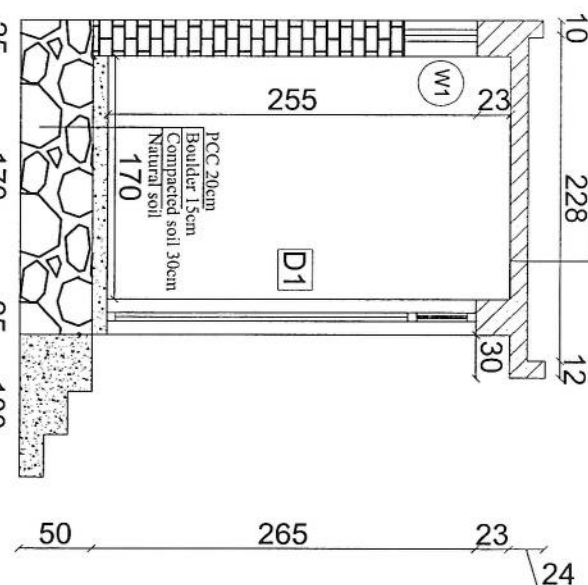
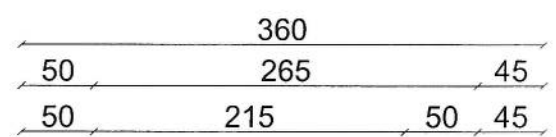
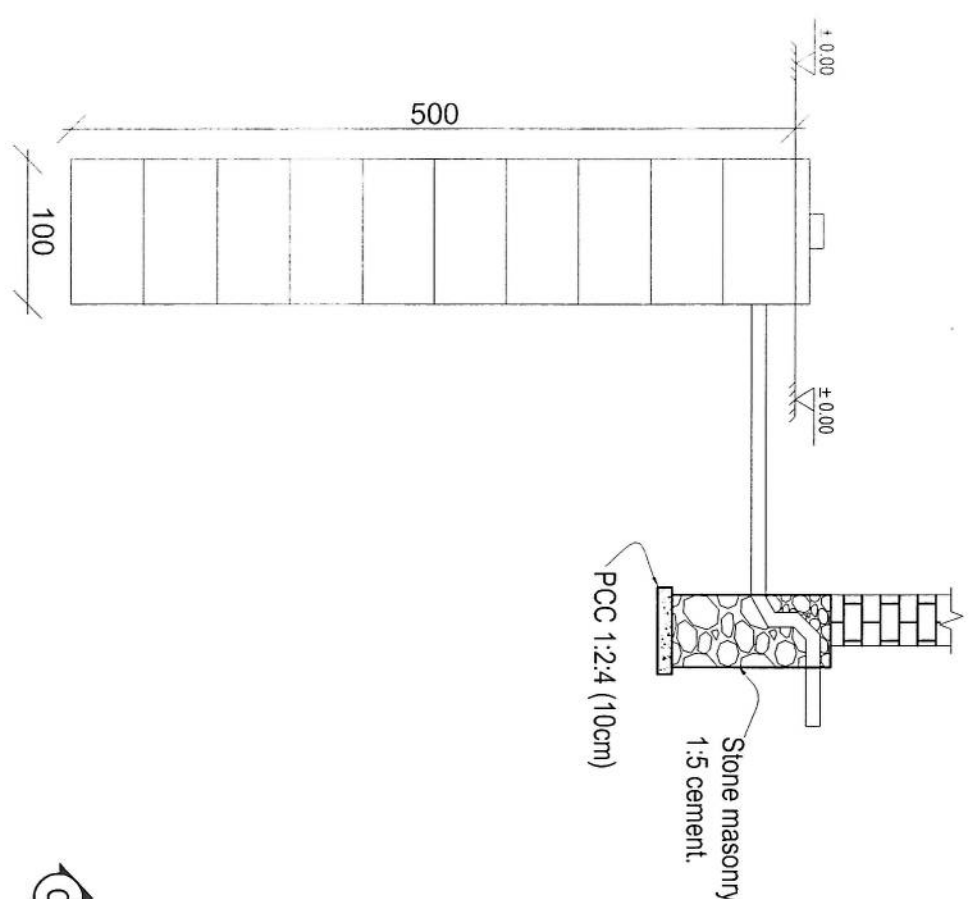
SCALE: 1/75

ACTUAL DATE: 07/04/2025

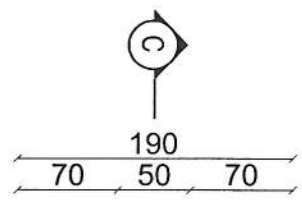
ISSUE DATE: DRG. NO: 04

05 TOILET  
 09 REF: A105  
 SCALE: 1:50

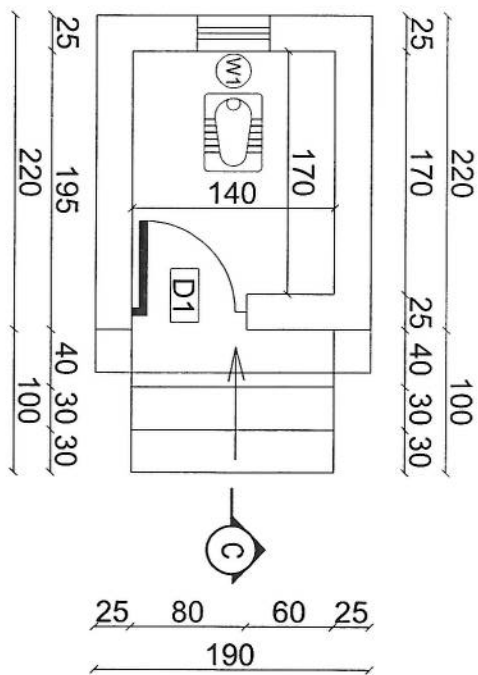
**Well for toilet**



**Section C-C**



**Toilet**



PCC 5cm	Isogam
RCC 12 cm	
Plaster 2 cm	

10	12
228	30

24	23	265	50
----	----	-----	----

REVISION NO	DATE	DESCRIPTION

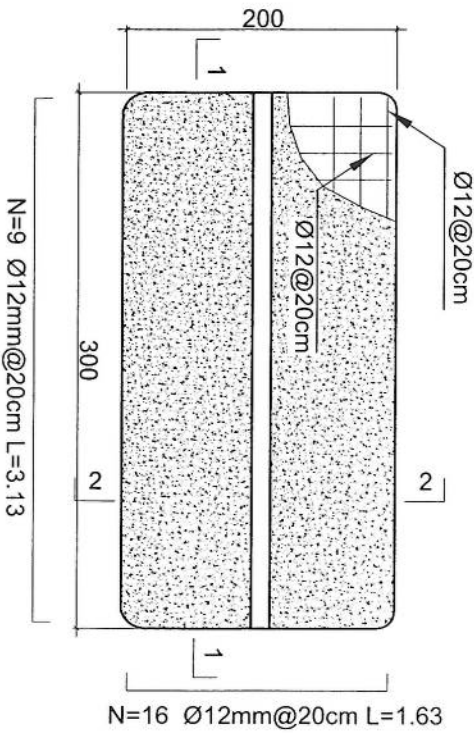
LEGEND:	BRICK FIBRO	STONE MASONRY	PCC	WINDOWS TYPE	DOOR TYPE 1	±0.00	GROUND LEVEL
---------	-------------	---------------	-----	--------------	-------------	-------	--------------

PROJECT TITLE / NO:	GSM SITES
DRAWING TITLE:	TOILET
DRAWN BY:	CIVIL TEAM
CHECKED BY:	
APPROVED BY:	
SCALE:	1:50
ACTUAL DATE:	07/04/2025
ISSUE DATE:	
OWNER:	AFGHAN TELECOM

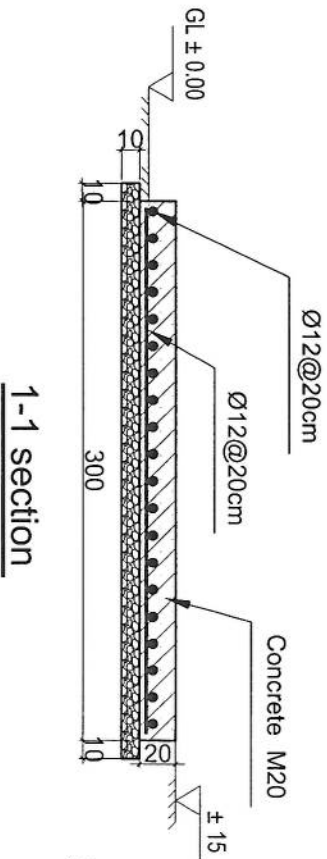
OWNER:	AFGHAN TELECOM
ACTUAL DATE:	07/04/2025
ISSUE DATE:	
DRAWING NO:	05
PROJECT TITLE / NO:	GSM SITES
DRAWING TITLE:	TOILET
DRAWN BY:	CIVIL TEAM
CHECKED BY:	
APPROVED BY:	
SCALE:	1:50
ACTUAL DATE:	07/04/2025
ISSUE DATE:	
DRAWING NO:	05
OWNER:	AFGHAN TELECOM

Salam Telecommunication Company  
 KABUL  
 AFGHANISTAN

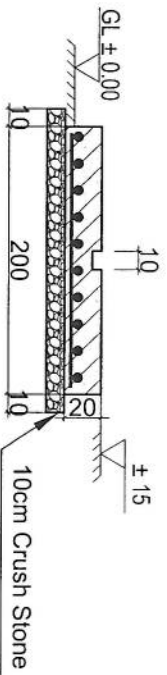
- Notes:
1. The foundation is adopts reinforced concrete, the concrete is M20; (M20:compressive strength is 20N/mm<sup>2</sup>); the foundation lays on a 10cm thick crush stone pad;
  2. Ø12: mild steel, rebar's strength 210N/mm<sup>2</sup>
  3. minimum concrete cover for rebar is 3.5cm,
  4. All units are in cm
  5. All edges of the Slab should be curve



### Outdoor BTS Foundation



### 1-1 section



### 2-2 section

06 ZTE OUTDOOR BTS FOUNDATION

09 REF: A106

SCALE: 1:25

#### REVISION RECORDS

REVISION NO	DATE	DESCRIPTION

#### LEGEND:

	Concrete M20
	Ø12@20cm
	10cm Crush Stone
	GL ± 0.00

#### PROJECT TITLE / NO:

GSM SITES  
 GSM سائتونه

#### DRAWING TITLE

ZTE OUTDOOR BTS FOUNDATION  
 BTS سائتونه

DRAWN BY:   
 CIVIL TEAM

CHECKED BY:   
 CIVIL TEAM

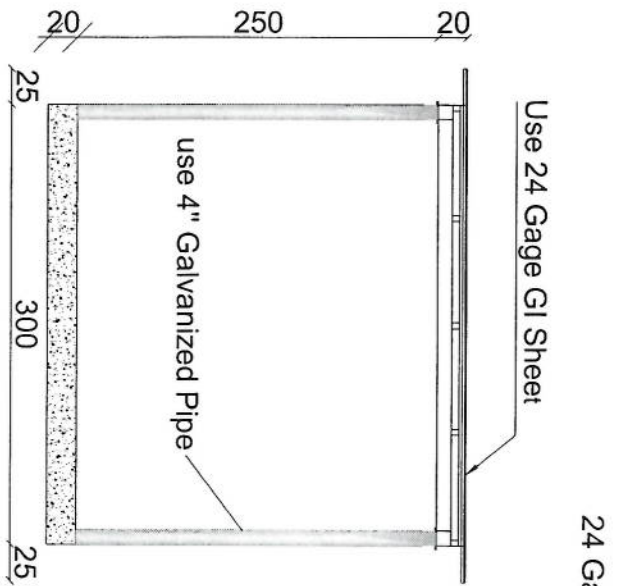
APPROVED BY:   
 CIVIL TEAM

SCALE: 1:25

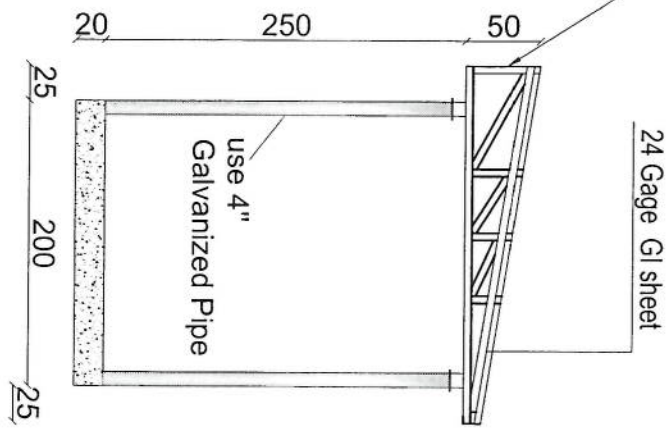
ACTUAL DATE: 07/04/2025  
 ISSUE DATE:   
 DRG NO: 06

OWNER:   
 AFGHAN TELECOM

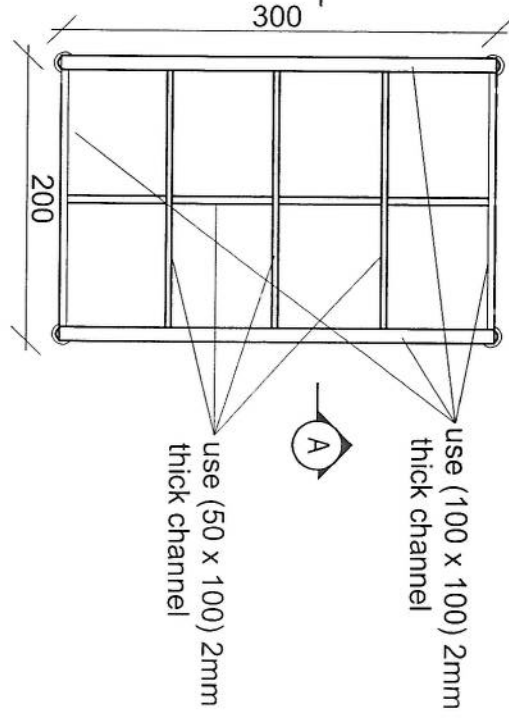
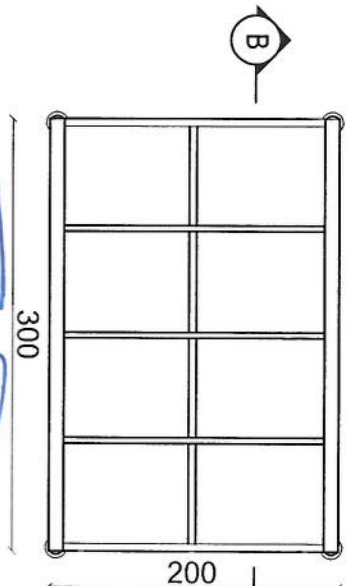
Sistem Telekomunikasi Company  
 KAROL  
 AFGHANISTAN



Section BB



Section AA



07 SUN SHELTER FOR ZTE BTS  
09 REF. A107

SCALE: 1:50

REVISION RECORDS	
REVISION NO.	DATE / DESCRIPTION

LEGEND

PROJECT TITLE / NO:  
GSM SITES

DRAWING TITLE:  
SUN SHELTER FOR ZTE BTS  
بناگاه خورشیدی برای ایستگاه BTS

DRAWN BY:  
CIVIL TEAM

CHECKED BY:

APPROVED BY:

SCALE: 1:50

ACTUAL DATE: 07.04.2025

ISSUE DATE:                      DRG NO. 07

OWNER: AFGHAN TELECOM

REVISION RECORDS

REVISION NO.	DATE	DESCRIPTION

LEGEND:

- (W1) WINDOWS TYPE 1
- (W2) WINDOWS TYPE 2
- (D1) DOOR TYPE 1
- (D2) DOOR TYPE 2

PROJECT TITLE NO:

GSM SITES

DRAWING TITLE

DOORS & WINDOWS DETAILS

DRAWN BY:  
CIVIL TEAM

CHECKED BY:

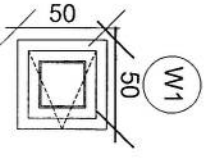
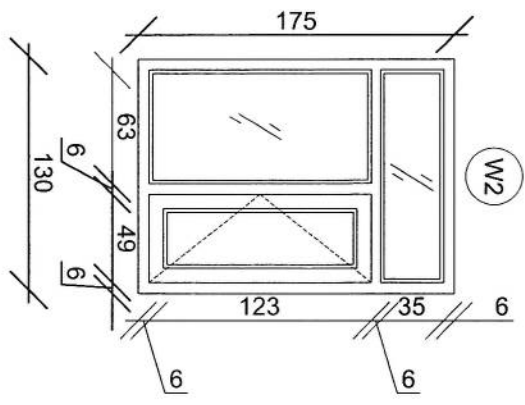
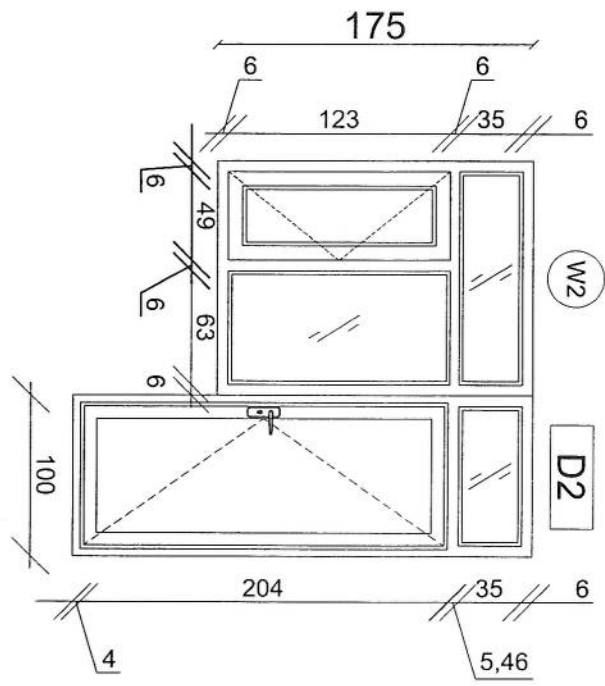
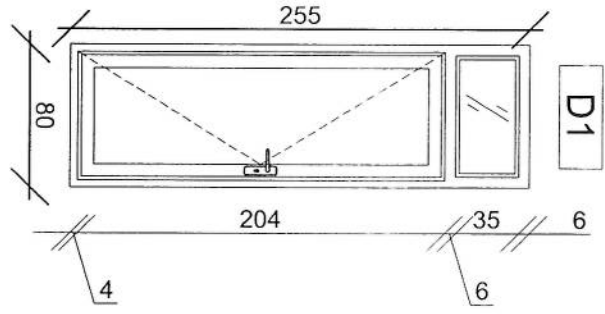
APPROVED BY:

SCALE: 1/25

ACTUAL DATE: 2025  
ISSUE DATE: 2025  
DRG NO: 08

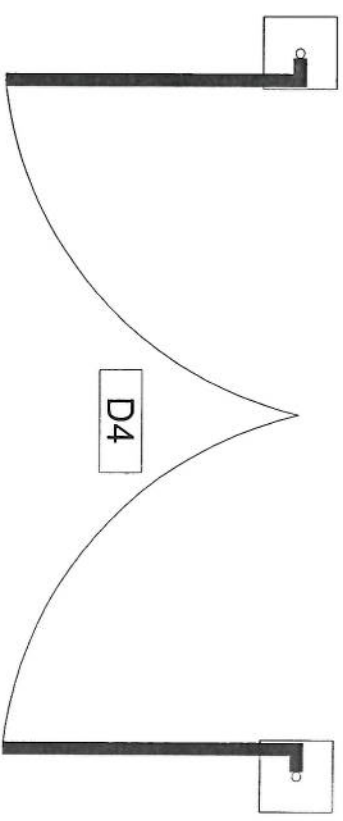
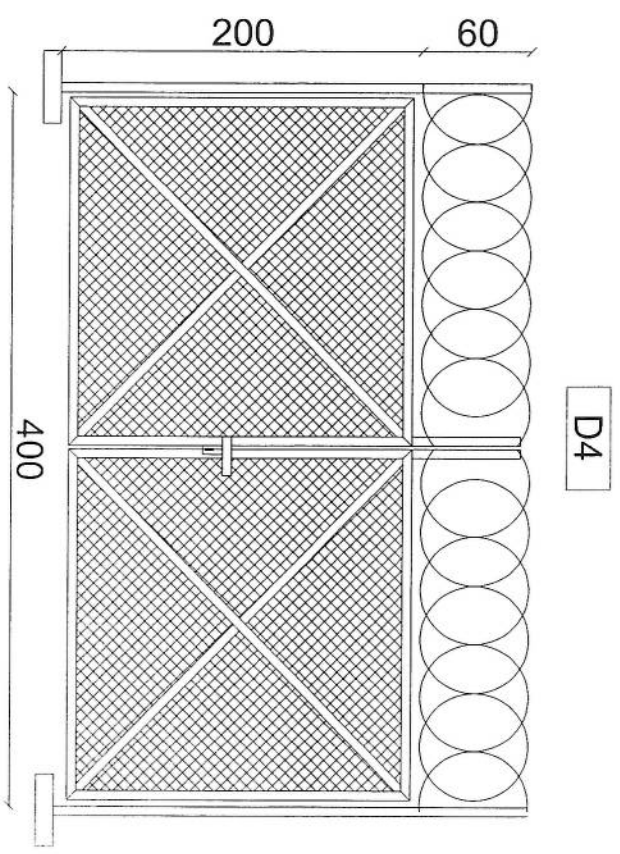
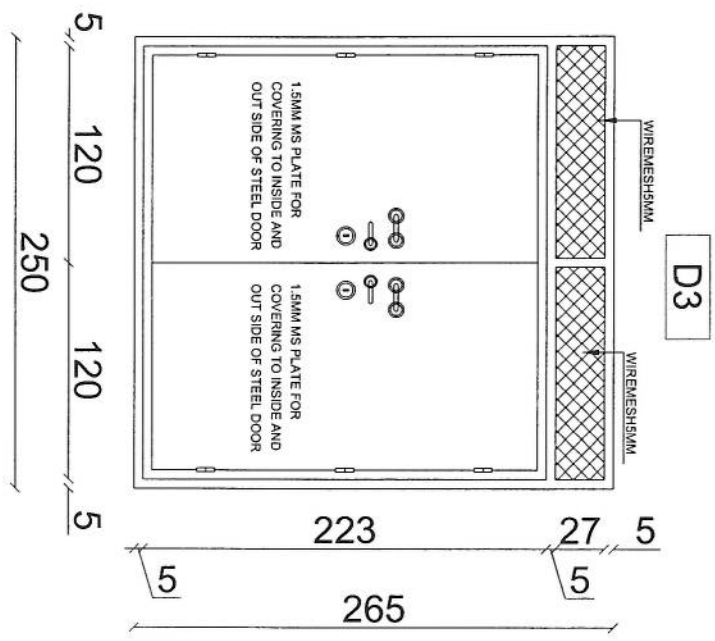
OWNER: AFGHAN TELECOM

Sistem Telekomunikasyon Company  
KABUL - AFGHANISTAN



SCALE: 1:25

SCALE: 1:25



REVISION RECORDS

REVISION NO.	DATE	DESCRIPTION

LEGEND:

(W1)	WINDOW TYPE	
(W2)	WINDOW TYPE	
(D1)	DOOR TYPE	
(D2)	DOOR TYPE	
(D3)	DOOR TYPE	

PROJECT TITLE / NO.  
 GSM SITES

DRAWING TITLE  
 DOORS DETAILS

DRAWN BY:  
 CIVIL TEAM

CHECKED BY:

APPROVED BY:

SCALE: 1:25

ACTUAL DATE: 07/01/2025

ISSUE DATE:  

ORG NO: 09

OWNER: AFGHAN TELECOM

Sabam Telekomunikashon Company