

01 SITE PLAN
REF. A101

SCALE: 1:100

REVISION RECORDS		
NO	DATE	DESCRIPTION

LEGEND:

- (WT) WINDOWS TYPE 1
- (WP) WINDOWS TYPE 2
- (D1) DOOR TYPE 1
- (D2) DOOR TYPE 2
- (D3) DOOR TYPE 3

PROJECT TITLE / NO
GSM SITES

DRAWING TITLE
SITE PLAN

DRAWN BY:
CIVIL TEAM

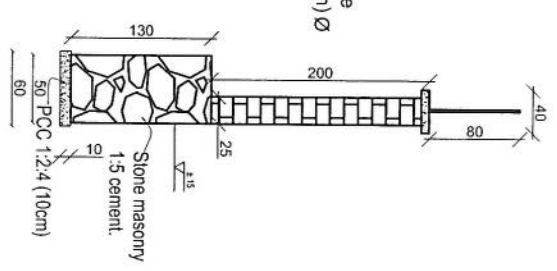
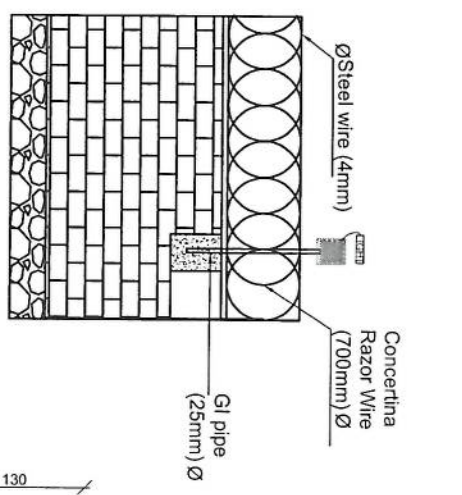
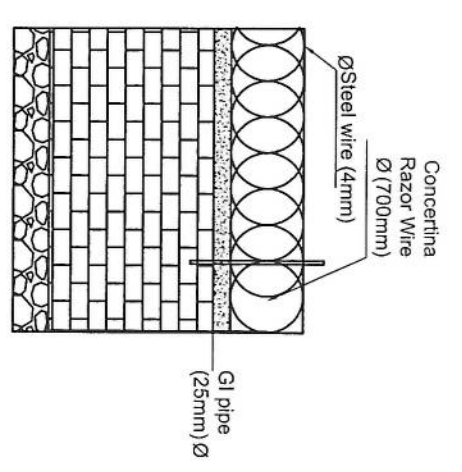
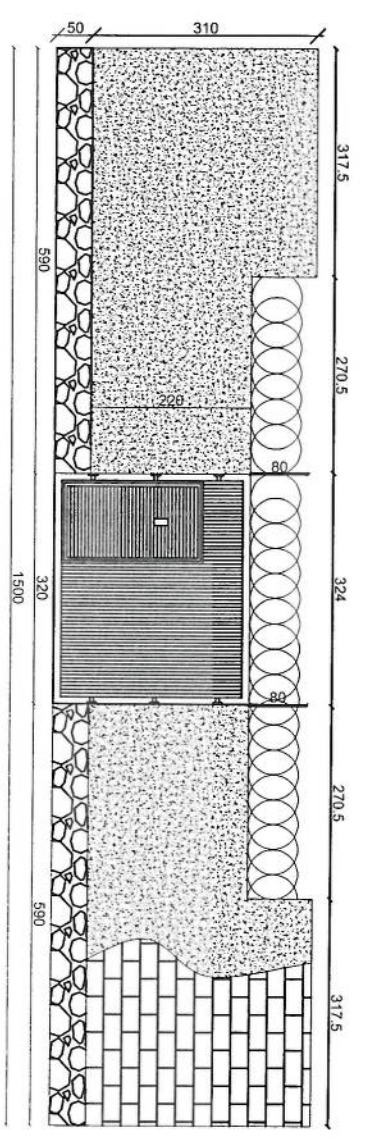
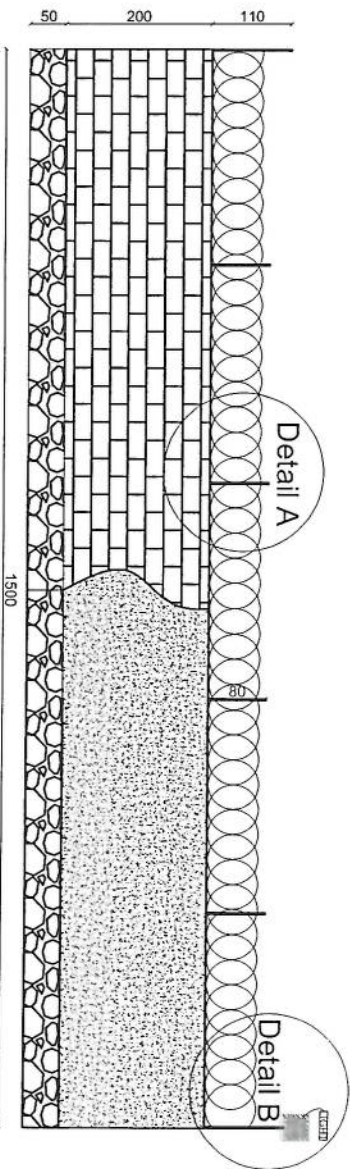
CHECKED BY:

APPROVED BY:

SCALE: 1:100
ACTUAL DATE: 25/03/2026
ISSUE DATE: DRG NO: 01

OWNER:
AFGHANI TELECOM

Salam Telecommunication Company
KABUL
AFGHANISTAN



Detail A

Detail B

02 | REF. A102 | WALL ELEVATIONS & DETAILS

SCALE: 1:100

REVISION RECORDS	
NO.	DESCRIPTION

LEGEND	
	BRICK WORK
	STONE MASONRY
	NEW PLASTER
	RAZOR WIRE
	CONCRETE

PROJECT TITLE / NO:
GSM SITES

DRAWING TITLE
WALL ELEVATIONS & DETAILS

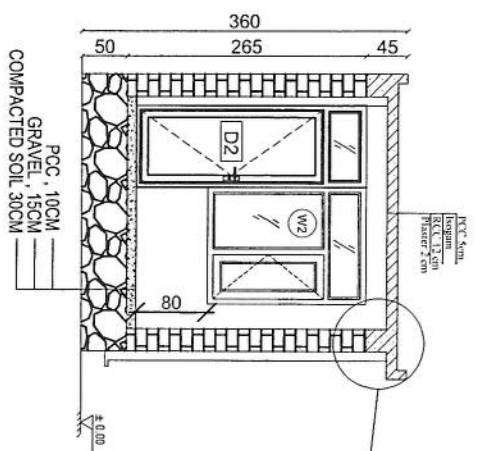
DRAWN BY:
CIVIL TEAM

APPROVED BY:

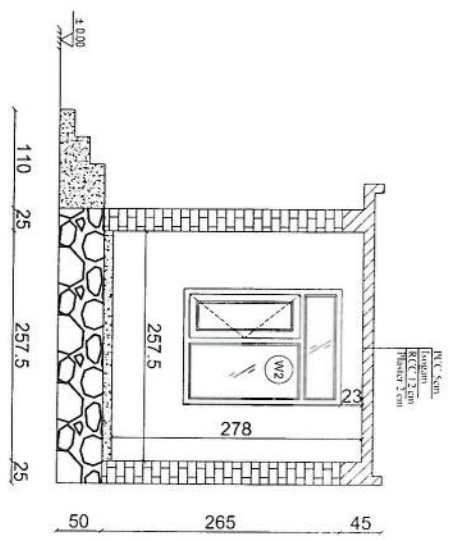
SCALE: 1:100
ACTUAL DATE: 25.03.2025
ISSUE DATE: DRG NO.: 02

OWNER:
AFGHAN TELECOM

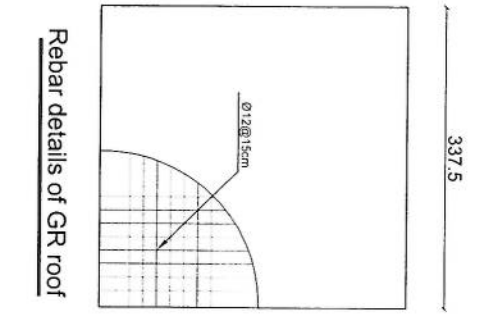
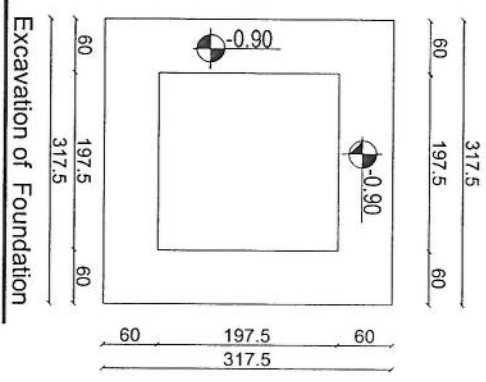
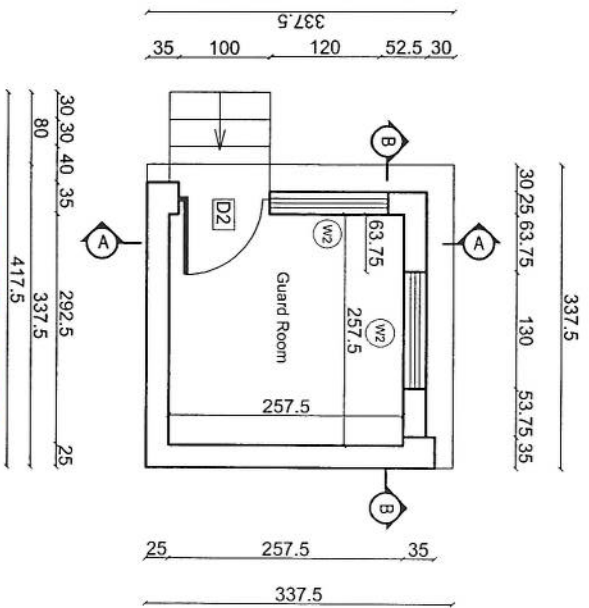
Salsam Telecommunication Company
KAROL
AFGHANISTAN



Section AA



Section B-B



03 REF. A103

GUARD ROOM

SCALE: 1:75

REVISION RECORDS	
NO	DESCRIPTION

LEGEND	
	CONCRETE
	BRICK
	GRAVEL
	SOIL
	REINFORCEMENT
	WINDOW
	DOOR

PROJECT TITLE / NO

GSM SITES

DRAWING TITLE

GUARD ROOM

DRAWN BY: CIVIL TEAM

CHECKED BY:

APPROVED BY:

SCALE: 1/75

ACTUAL DATE: 25.03.2026

ISSUE DATE: DRG NO. 03

OWNER: AFGHAN TELECOM

System Integration/Company/AFGHANISTAN

REVISION RECORDS	
NO	DESCRIPTION

LEGEND:	
	BRICK WORK
	STONE MASONRY
	REINFORCED CONCRETE
	PLASTER
	WATER
	AIR CONDITIONING
	WINDOW
	DOOR

PROJECT TITLE / NO.	
PROJECT TITLE	QSM SITES
PROJECT NO.	2023/194/2
DATE	2023/194/2
ISSUE DATE	2023/194/2
SCALE	1:75

DRAWING TITLE:	
GENERATOR ROOM	
DRAWN BY:	
CHECKED BY:	
APPROVED BY:	

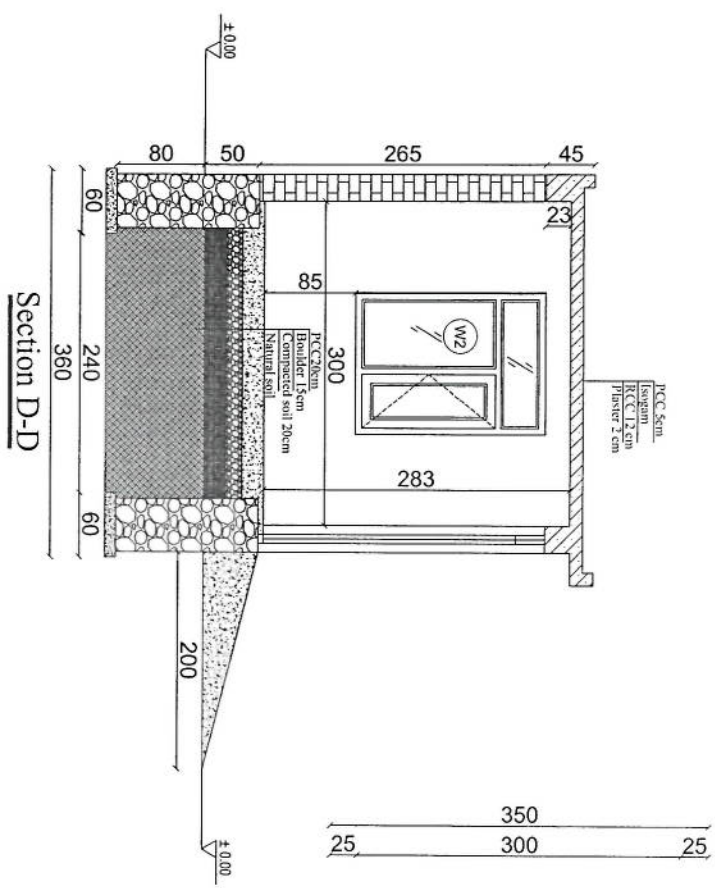
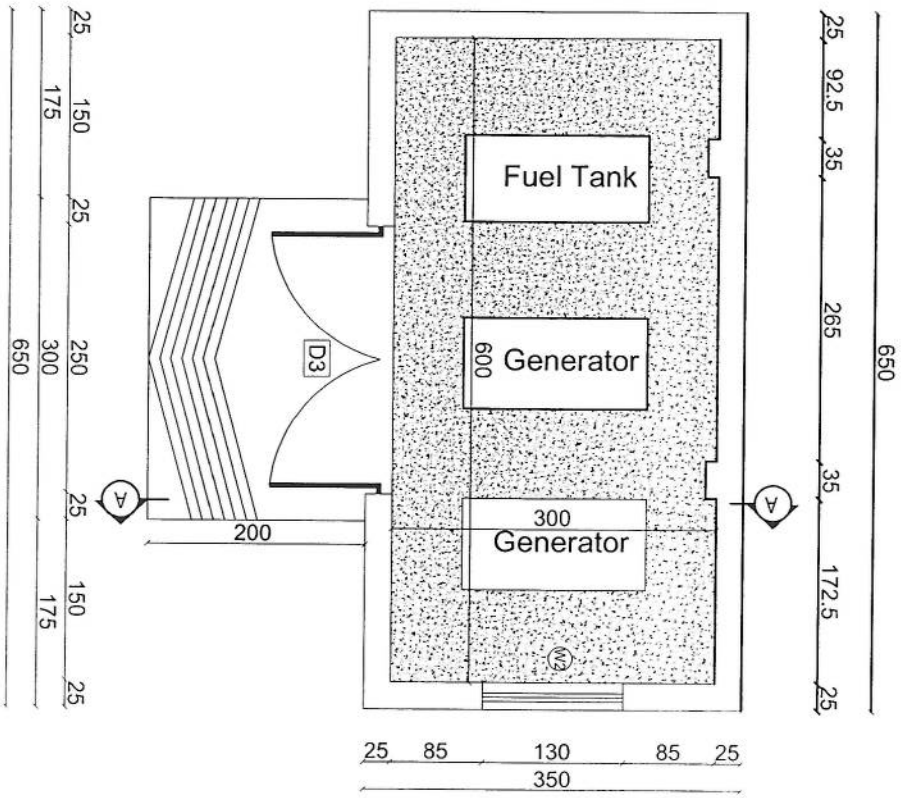
OWNER:	
AFGHAN TELECOM	
SCALE:	1:75
ACTUAL DATE:	25/03/2025
ISSUE DATE:	25/03/2025
DWG NO:	04

04 REF. A104

GENERATOR ROOM

SCALE: 1:75

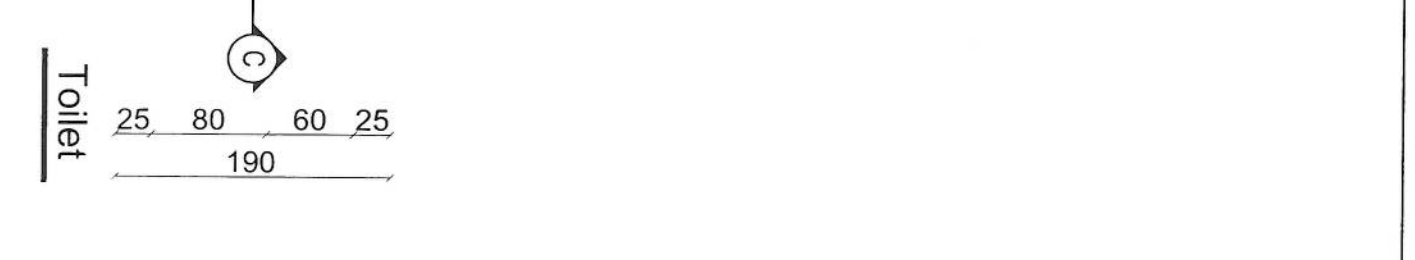
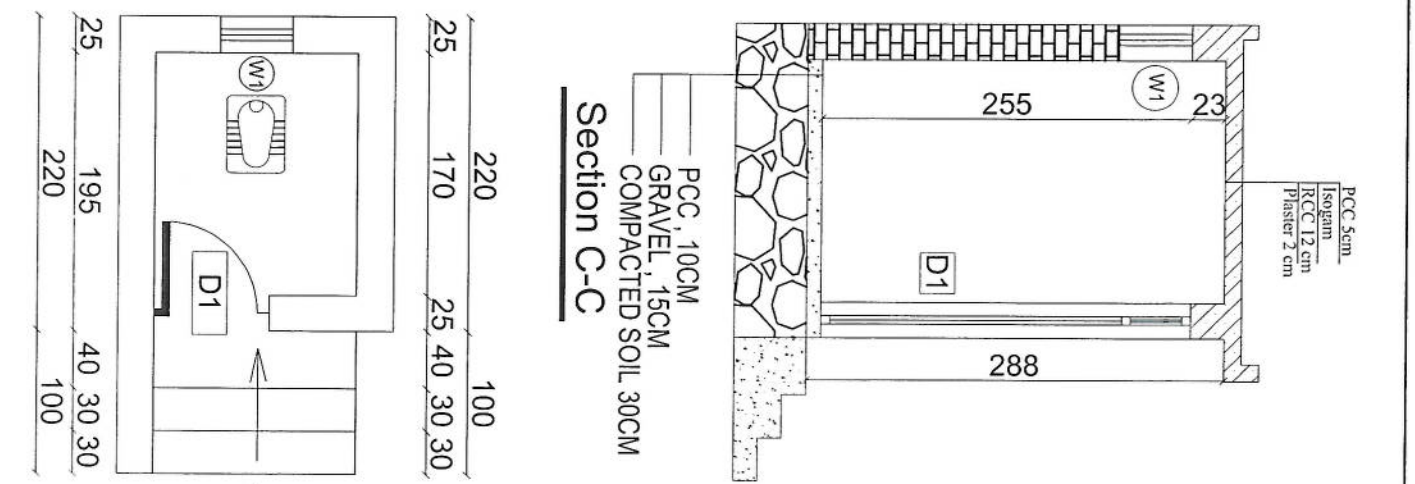
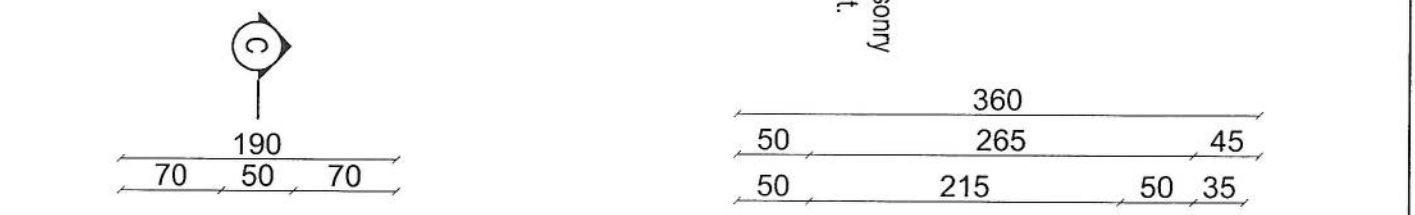
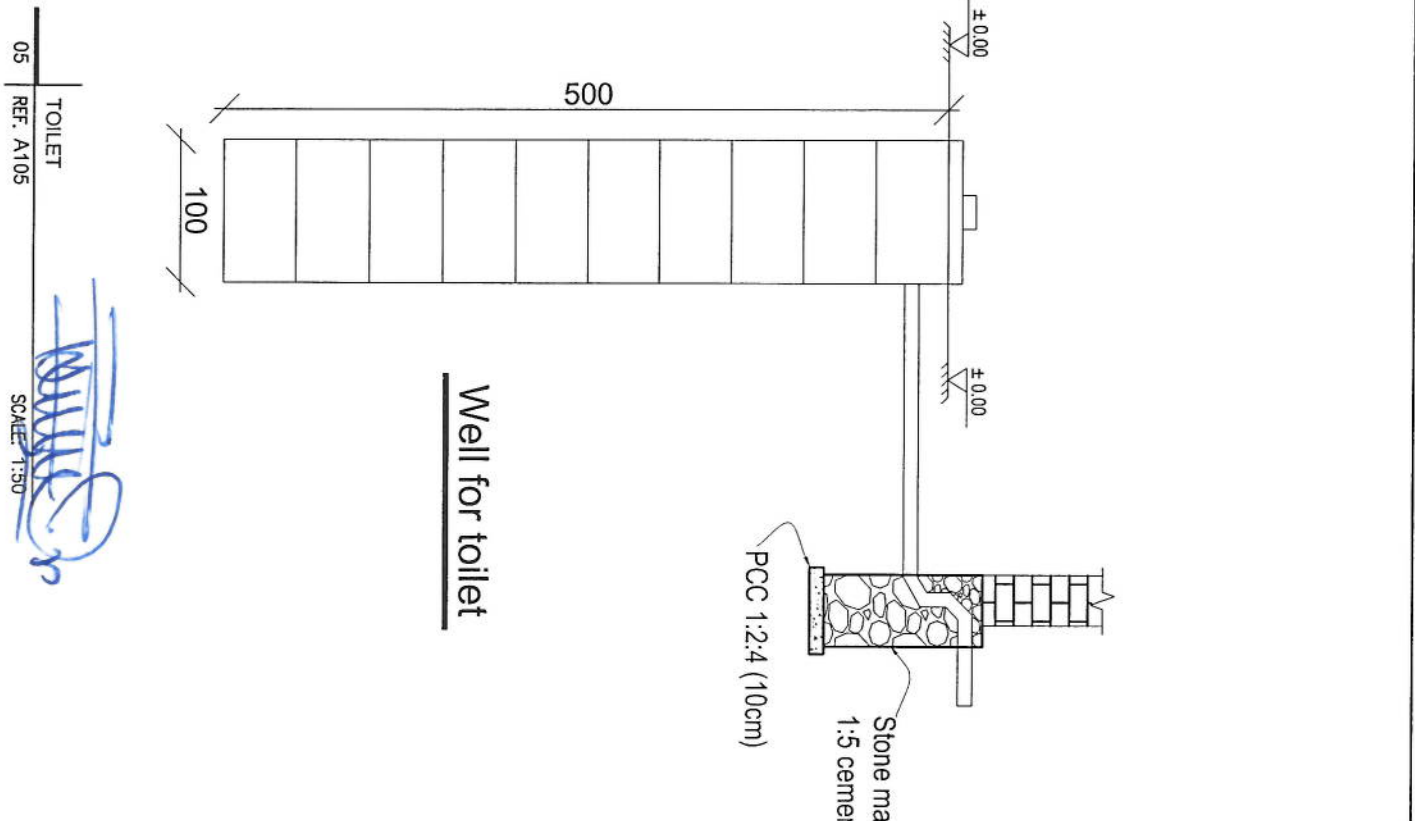
Salim Telecom Corporation
KABUL
AFGHANISTAN



04 REF. A104

GENERATOR ROOM

SCALE: 1:75



REVISION RECORDS	
NO.	DESCRIPTION

REVISION NO.	DATE	DESCRIPTION

LEGEND	DESCRIPTION

PROJECT TITLE / NO.	GSN SITES

DRAWING TITLE:
TOILET

DRAWN BY:	CIVIL TEAM

CHECKED BY:

APPROVED BY:

SCALE:
1:50

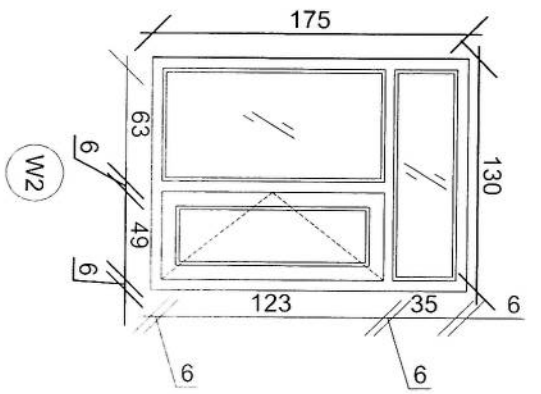
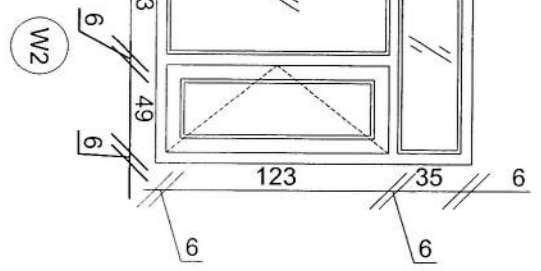
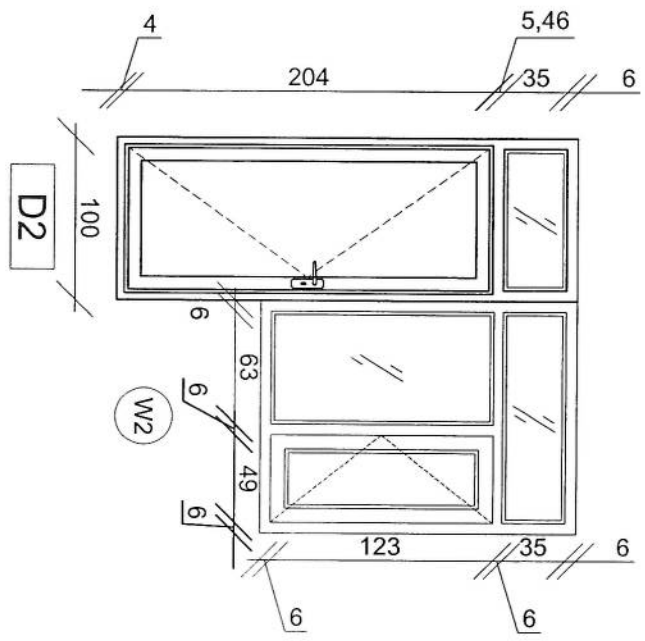
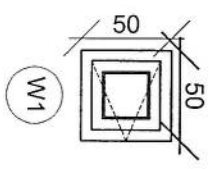
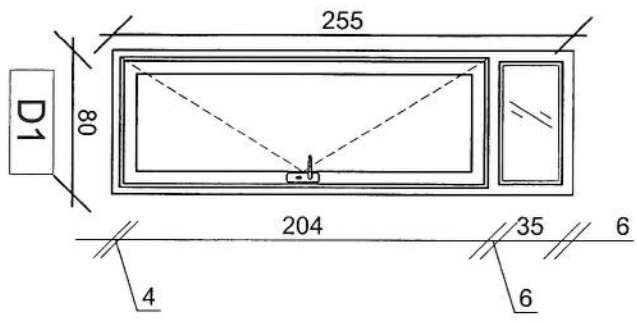
ACTUAL DATE:	ISSUE DATE:	ORG. NO.	OWNER:
25/03/2026		05	AFGHAN TELECOM

PROJECT TITLE / NO.	GSN SITES

05 TOILET REF. A105

SCALE: 1:50

Salam Telecommunication Company
KABUL, AFGHANISTAN



06 REF. A106

DOORS & WINDOWS DETAILS

SCALE: 1:25

[Handwritten signature]

REVISION RECORDS			
NO.	DATE	DESCRIPTION	BY

LEGEND:	
	WINDOW FRAME
	WINDOW PANE
	DOOR FRAME
	DOOR PANE

W1	WINDOW FRAME
W2	WINDOW PANE
D1	DOOR FRAME
D2	DOOR PANE

PROJECT TITLE / NO.
GSM SITES

DRAWING TITLE
DOORS & WINDOWS DETAILS

DRAWN BY:
CIVIL TEAM

CHECKED BY:

APPROVED BY:

SCALE: 1:25
ACTUAL DATE: 25.03.2006
ISSUE DATE:
OWNER: AFGHAN TELECOM
Sasam Telecommunication Company
AFGHANISTAN

REVISION RECORDS			
REVISION NO	DATE	DESCRIPTION	BY

LEGEND

D3	DOOR
D4	WINDOW

PROJECT TITLE / NO:
GSM SITES
موقع های GSM

DRAWING TITLE:
DOORS DETAILS
درب و پنجره ها

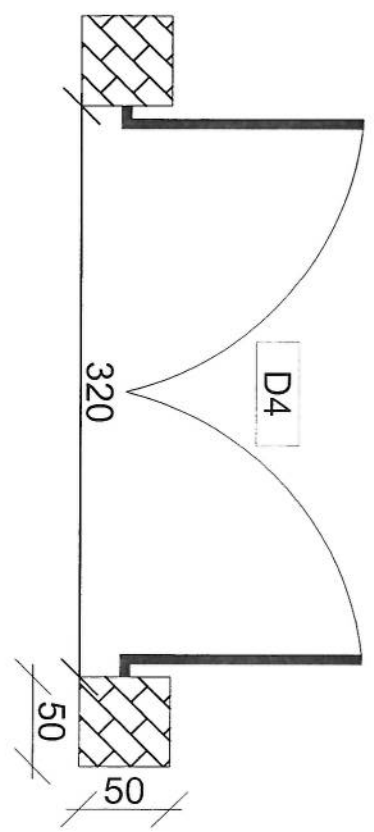
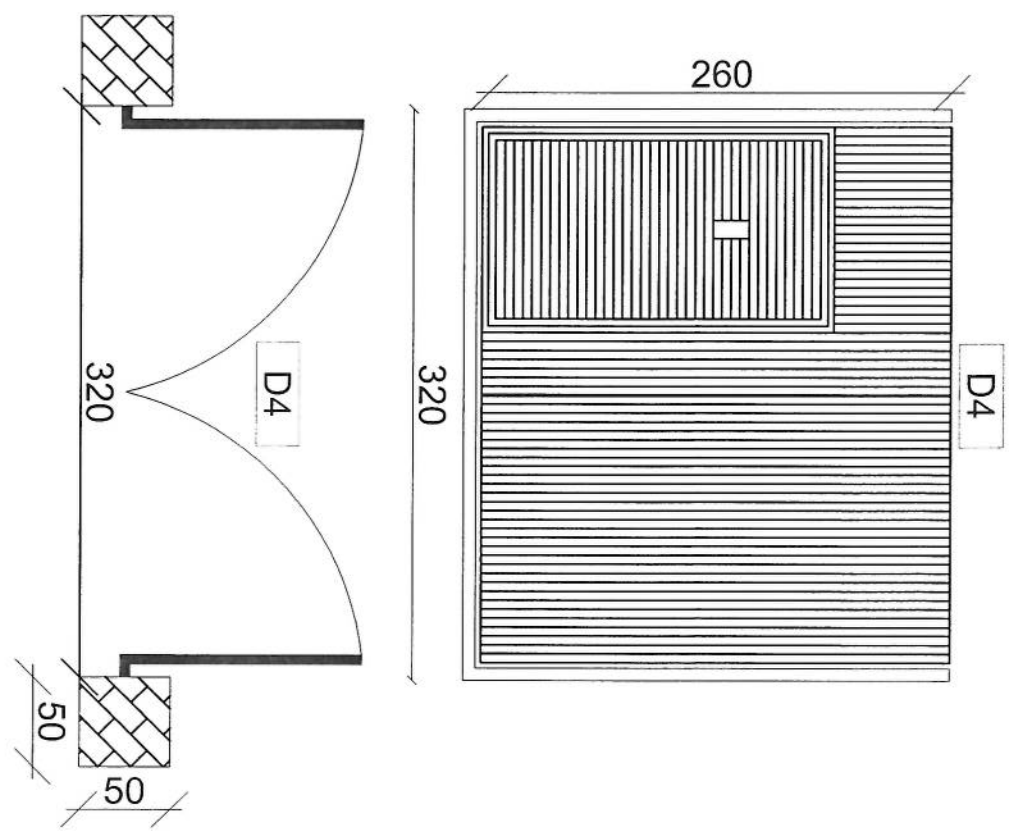
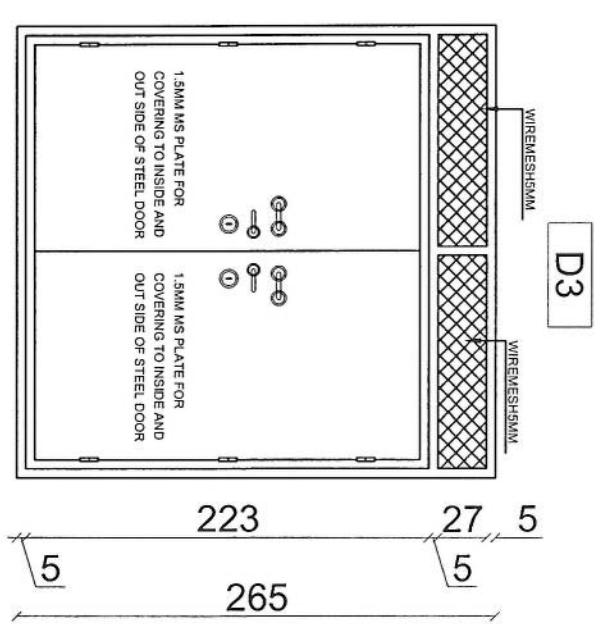
DRAWN BY:
CIVIL TEAM

CHECKED BY:

APPROVED BY:

SCALE: 1:25
ACTUAL DATE: 23/07/2015
ISSUE DATE:
DRG NO: 07

OWNER:
AFGHAN TELECOM



REVISION RECORDS

REVISION NO	DATE	DESCRIPTION

LEGEND:

- CONCRETE
- CRUSH STONE
- REBAR
- FOUNDATION

PROJECT TITLE / NO.

GSM SITES
 GSM SITES
 ۹۲۲۸۰۰۰۰

DRAWING TITLE:

ZTE OUTDOOR BTS FOUNDATION
 BTS ۰۰۰۰

DRAWN BY:
 CIVIL TEAM

CHECKED BY:

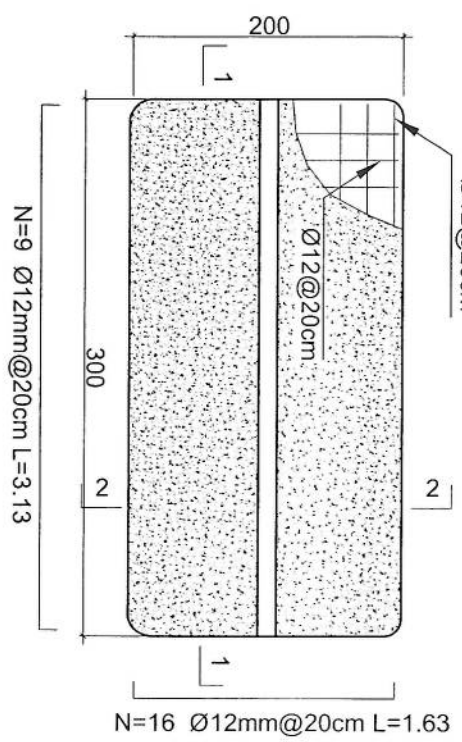
APPROVED BY:

SCALE: 1:25

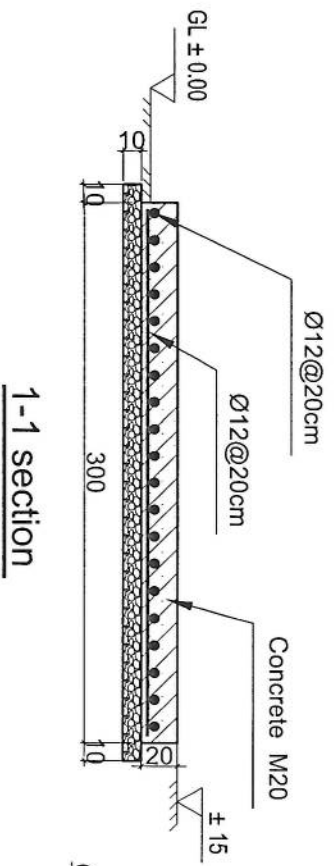
ACTUAL DATE: 29.03.2026
 ISSUE DATE: DRG NO: 08

OWNER:
 AIRGHAN TELECOM

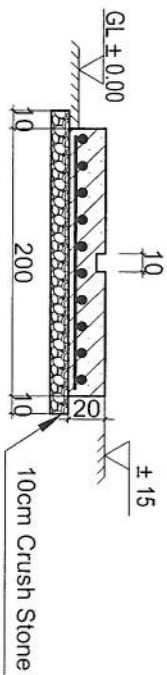
- Notes:
1. The foundation is adopts reinforced concrete, the concrete is M20; (M20:compressive strength is 20N/mm2); the foundation lays on a 10cm thick crush stone pad;
 2. Ø12: mild steel, rebar strength 210N/mm2
 3. minimum concrete cover for rebar is 3.5cm,
 4. All units are in cm
 5. All edges of the Slab should be curve



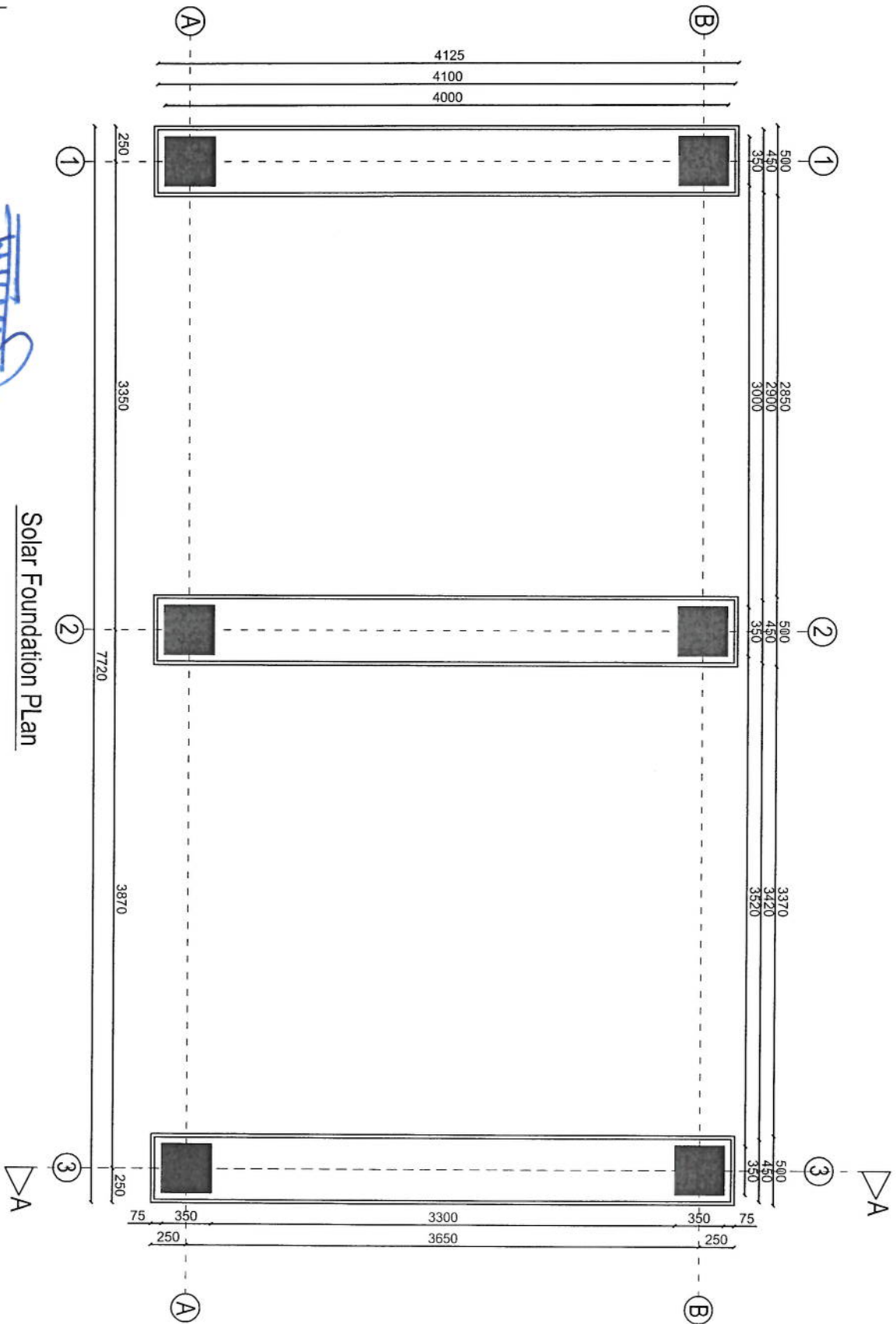
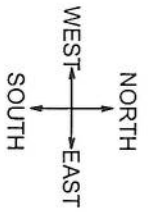
Outdoor BTS Foundation



1-1 section



2-2 section



Solar Foundation Plan

01 SOLAR FOUNDATION PLAN
02 REF: A101

SCALE: 1:400

REVISION RECORDS	
REVISION NO	DATE

LEGEND:

PROJECT TITLE / NO.
GSM SITES

DRAWING TITLE
SOLAR FOUNDATION PLAN
TDF TAYPE
پلان بنیاد خورشیدی

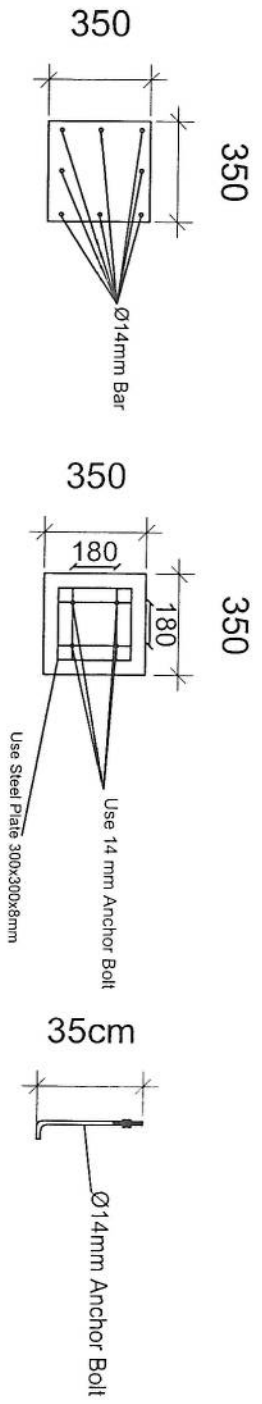
DRAWN BY:
CIVIL TEAM

CHECKED BY:

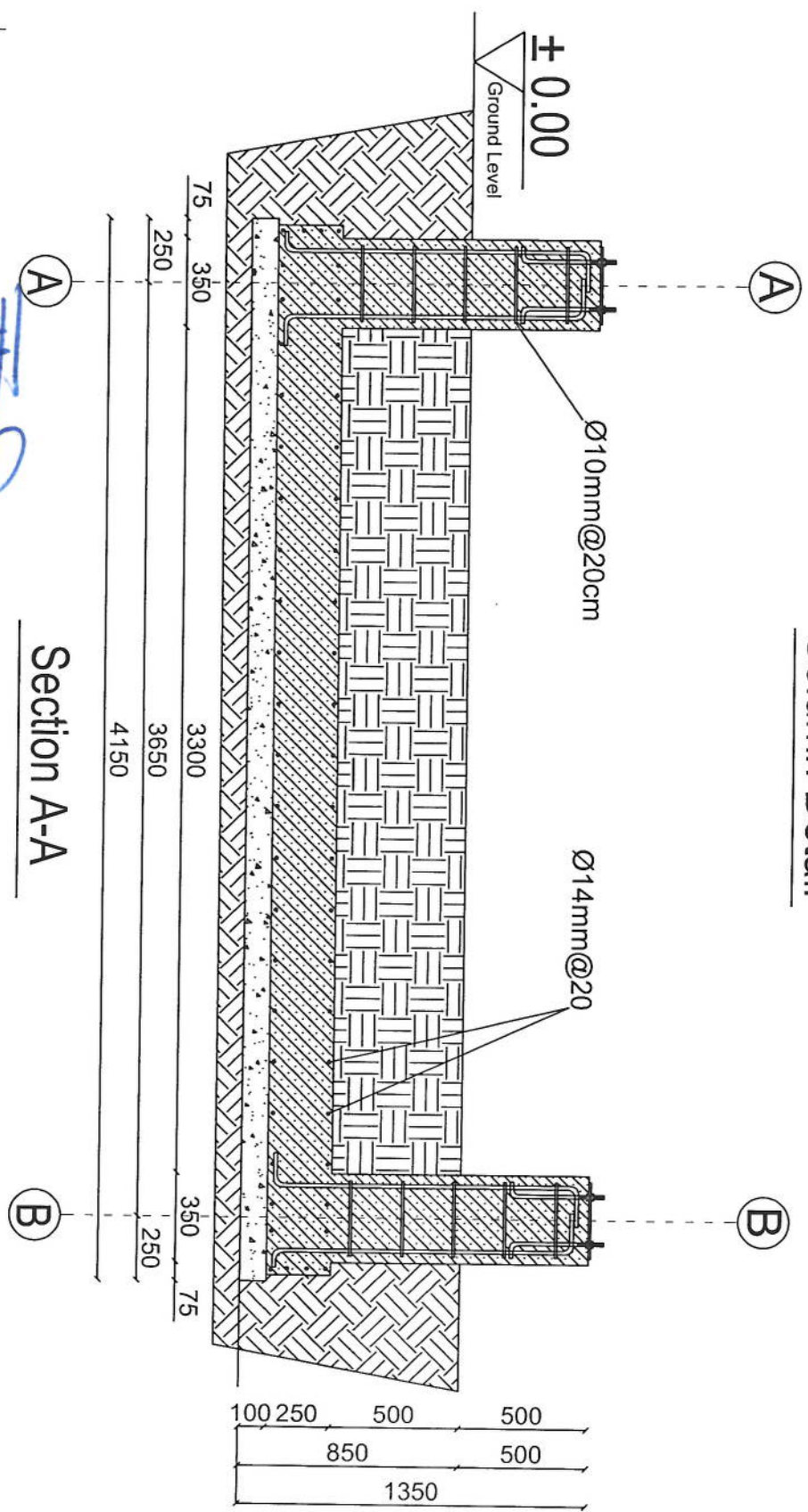
APPROVED BY:

SCALE: 1:400
ACTUAL DATE: 20/10/2025
ISSUE DATE: DRG NO: 01

OWNER:
AFGHAN TELECOM



Column Detail



Section A-A

02 SOLAR FOUNDATION SECTION
REF. A201
SCALE: 1:250

REVISION RECORDS		
REVISION NO	DATE	DESCRIPTION

LEGEND

PROJECT TITLE / NO	GSM SITES
DRAWING TITLE	SOLAR FOUNDATION SECTION
DRAWN BY	CIVIL TEAM
CHECKED BY:	
APPROVED BY:	
SCALE:	1:250
ACTUAL DATE:	20/10/2025
ISSUE DATE:	
OWNER:	AFGHAN TELECOM